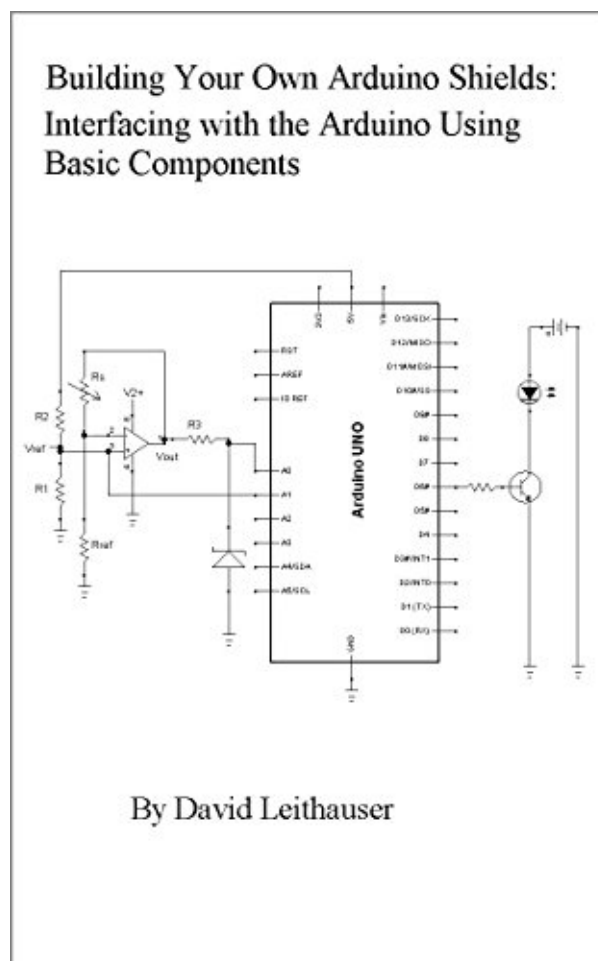


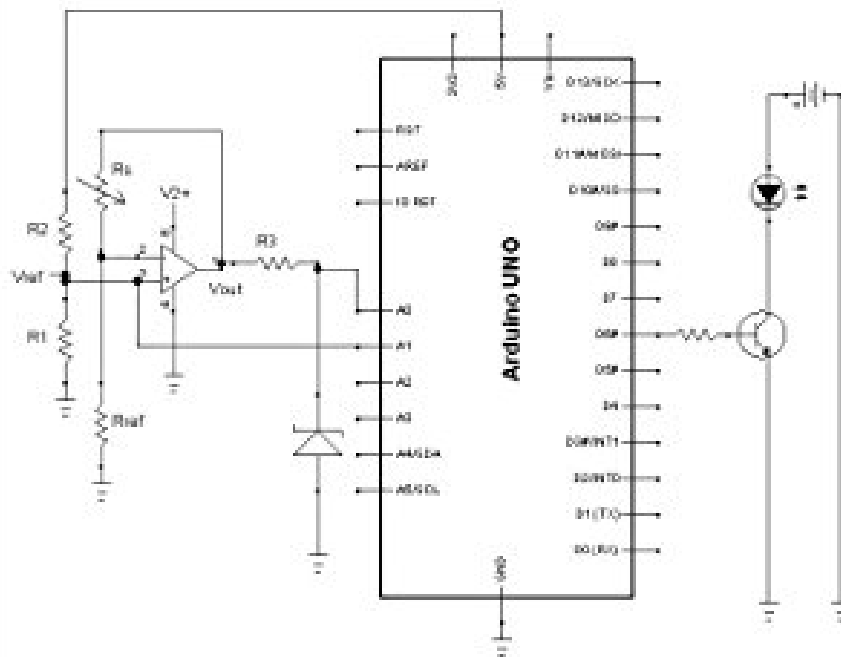
BUILDING YOUR OWN ARDUINO SHIELDS:: INTERFACING WITH THE ARDUINO USING BASIC COMPONENTS BY DAVID LEITHAUSER



**DOWNLOAD EBOOK : BUILDING YOUR OWN ARDUINO SHIELDS::
INTERFACING WITH THE ARDUINO USING BASIC COMPONENTS BY DAVID
LEITHAUSER PDF**



Building Your Own Arduino Shields: Interfacing with the Arduino Using Basic Components



By David Leithauser

Click link bellow and free register to download ebook:
**BUILDING YOUR OWN ARDUINO SHIELDS:: INTERFACING WITH THE ARDUINO USING
BASIC COMPONENTS BY DAVID LEITHAUSER**

[DOWNLOAD FROM OUR ONLINE LIBRARY](#)

BUILDING YOUR OWN ARDUINO SHIELDS:: INTERFACING WITH THE ARDUINO USING BASIC COMPONENTS BY DAVID LEITHAUSER PDF

You could finely add the soft data **Building Your Own Arduino Shields:: Interfacing With The Arduino Using Basic Components By David Leithauser** to the device or every computer hardware in your workplace or house. It will certainly aid you to constantly continue reviewing Building Your Own Arduino Shields:: Interfacing With The Arduino Using Basic Components By David Leithauser whenever you have spare time. This is why, reading this Building Your Own Arduino Shields:: Interfacing With The Arduino Using Basic Components By David Leithauser doesn't offer you problems. It will certainly provide you crucial sources for you that wish to start creating, writing about the similar book Building Your Own Arduino Shields:: Interfacing With The Arduino Using Basic Components By David Leithauser are different publication area.

BUILDING YOUR OWN ARDUINO SHIELDS:: INTERFACING WITH THE ARDUINO USING BASIC COMPONENTS BY DAVID LEITHAUSER PDF

[Download: BUILDING YOUR OWN ARDUINO SHIELDS:: INTERFACING WITH THE ARDUINO USING BASIC COMPONENTS BY DAVID LEITHAUSER PDF](#)

Building Your Own Arduino Shields:: Interfacing With The Arduino Using Basic Components By David Leithauser. Exactly what are you doing when having extra time? Talking or surfing? Why do not you attempt to read some e-book? Why should be checking out? Reading is among enjoyable and also enjoyable activity to do in your leisure. By reviewing from numerous resources, you could find new info and also encounter. Guides Building Your Own Arduino Shields:: Interfacing With The Arduino Using Basic Components By David Leithauser to check out will certainly many beginning with scientific publications to the fiction e-books. It indicates that you can review the publications based on the need that you want to take. Of course, it will be different as well as you could check out all book types any time. As right here, we will reveal you a publication should be reviewed. This publication Building Your Own Arduino Shields:: Interfacing With The Arduino Using Basic Components By David Leithauser is the selection.

Reviewing *Building Your Own Arduino Shields:: Interfacing With The Arduino Using Basic Components By David Leithauser* is a really helpful interest as well as doing that could be undergone at any time. It implies that checking out a book will certainly not restrict your task, will certainly not force the moment to invest over, and also will not invest much cash. It is a quite inexpensive and obtainable point to acquire Building Your Own Arduino Shields:: Interfacing With The Arduino Using Basic Components By David Leithauser Yet, with that quite low-cost thing, you can obtain something brand-new, Building Your Own Arduino Shields:: Interfacing With The Arduino Using Basic Components By David Leithauser something that you never ever do and also enter your life.

A new experience could be gotten by checking out a publication Building Your Own Arduino Shields:: Interfacing With The Arduino Using Basic Components By David Leithauser Also that is this Building Your Own Arduino Shields:: Interfacing With The Arduino Using Basic Components By David Leithauser or other publication collections. We provide this book due to the fact that you could find much more things to urge your skill as well as expertise that will make you a lot better in your life. It will be likewise valuable for the people around you. We suggest this soft file of the book below. To recognize how you can obtain this publication [Building Your Own Arduino Shields:: Interfacing With The Arduino Using Basic Components By David Leithauser](#), learn more here.

BUILDING YOUR OWN ARDUINO SHIELDS:: INTERFACING WITH THE ARDUINO USING BASIC COMPONENTS BY DAVID LEITHAUSER PDF

Although you can buy a wide range of shields for Arduino, making your own will not only save you money, it will give you more flexibility and control of your designs. This book shows you how to connect sensors and other devices to your Arduino inputs and outputs using basic components like resistors, diodes, transistors, and op-amps. All of the components used in this book can be purchased cheaply on eBay or Amazon, as well as other electronics outlets. Dozens of generalized circuits that you can modify for your needs are shown, complete with the necessary equations to select the proper component values for your needs. Heavy emphasis is placed on connecting sensors not originally designed for Arduinos to the analog inputs, as well as connecting signals other than 5 volts to digital inputs. Connecting heavy loads to the outputs is also discussed. Protecting your Arduino is the topic of one chapter, and specific tips for doing this are given for individual circuits throughout the book.

This is a practical guide to designing electronic circuits to connect to your Arduino. Although it will be helpful if you already have a basic knowledge of electronics, this book provides a basic background, like reading schematics and choosing components.

- Sales Rank: #590755 in eBooks
- Published on: 2015-07-31
- Released on: 2015-07-31
- Format: Kindle eBook

Most helpful customer reviews

0 of 0 people found the following review helpful.

Excellent as a teaching tool

By Alyssa Hammond

I would like to add to my previous review. During a design course at my university, we were tasked with designing an Arduino-based control system. Apart from me none of my group mates had any experience coding or using electronics. Using David's book as a reference and suggesting they purchase it themselves, two of my teammates were able to create a prototype in less than a week that flawlessly performed during our demonstration of the control system and overall product.

0 of 1 people found the following review helpful.

A great way to start or keep on learning.

By agentroadkill

David was kind enough to provide me a pre-publication copy of his book to examine and play with. The concepts he puts forth are very straightforward, step-by-step. They will be excellent for anyone with very little electronics knowledge, or those completely new to the idea who would like to learn as they go. The book would serve as an excellent teaching device for those wishing to get other, less experienced users into Arduino building, and does a fantastic job clarifying some very tricky low-level ideas like Zener Diodes and

analog-digital-conversion those more experienced may not have a full handle on.

0 of 1 people found the following review helpful.

Arduino love

By J. Tamayo

Haven't read it yet but it does look promising .

See all 3 customer reviews...

BUILDING YOUR OWN ARDUINO SHIELDS:: INTERFACING WITH THE ARDUINO USING BASIC COMPONENTS BY DAVID LEITHAUSER PDF

You can find the link that we offer in website to download and install Building Your Own Arduino Shields:: Interfacing With The Arduino Using Basic Components By David Leithauser By buying the affordable cost and obtain finished downloading and install, you have actually finished to the initial stage to get this Building Your Own Arduino Shields:: Interfacing With The Arduino Using Basic Components By David Leithauser It will certainly be absolutely nothing when having actually acquired this book and not do anything. Read it as well as expose it! Invest your couple of time to just check out some sheets of web page of this publication **Building Your Own Arduino Shields:: Interfacing With The Arduino Using Basic Components By David Leithauser** to review. It is soft file as well as easy to check out any place you are. Appreciate your brand-new routine.

You could finely add the soft data **Building Your Own Arduino Shields:: Interfacing With The Arduino Using Basic Components By David Leithauser** to the device or every computer hardware in your workplace or house. It will certainly aid you to constantly continue reviewing Building Your Own Arduino Shields:: Interfacing With The Arduino Using Basic Components By David Leithauser whenever you have spare time. This is why, reading this Building Your Own Arduino Shields:: Interfacing With The Arduino Using Basic Components By David Leithauser doesn't offer you problems. It will certainly provide you crucial sources for you that wish to start creating, writing about the similar book Building Your Own Arduino Shields:: Interfacing With The Arduino Using Basic Components By David Leithauser are different publication area.